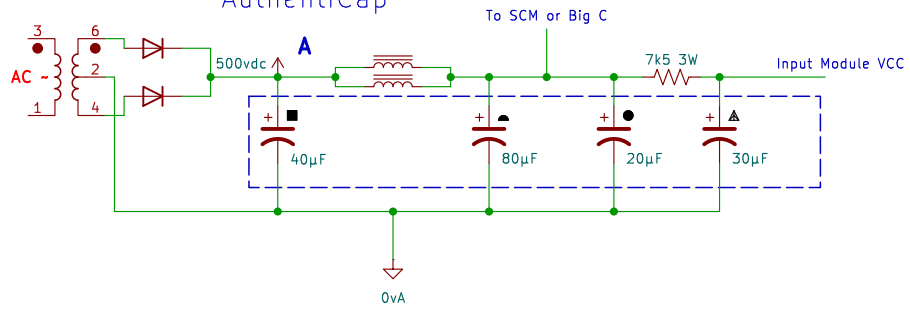
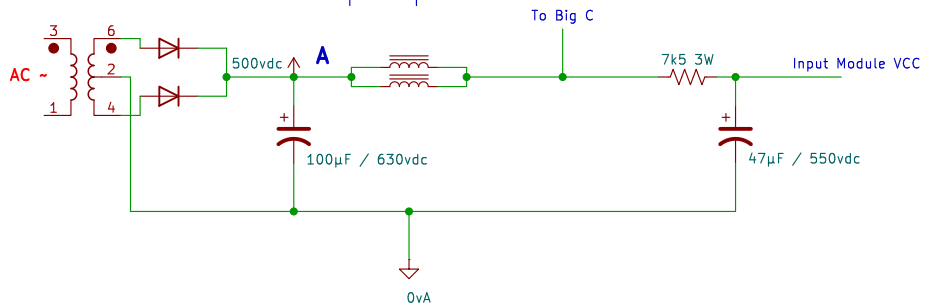


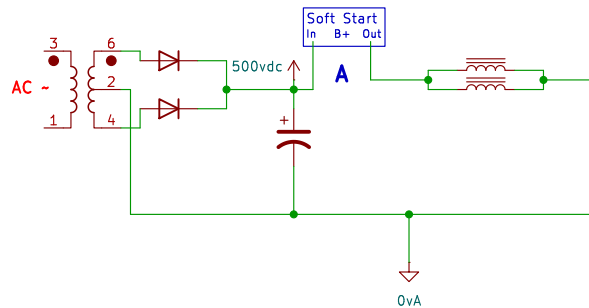
AuthentiCap



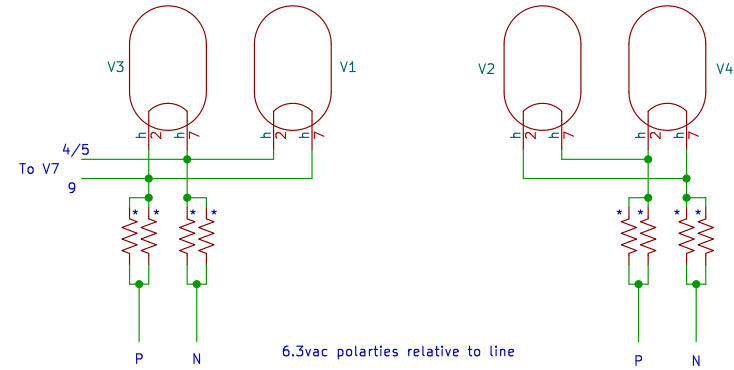
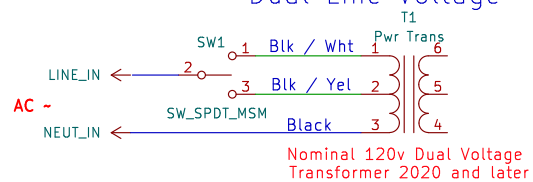
AuthentiCap Replacement



Soft Start Connection



Dual Line Voltage



* 4x 0.1Ω / 2W



0.01 - 2410123 Add trans to PS

Sheet: /	
File: M-125.kicad_sch	
Title: ieLogical M-125 Connection Snippets	
Size: A4	Date: 12-July-24
KiCad E.D.A. 8.0.6	Rev: 0.01
	Id: 1/1